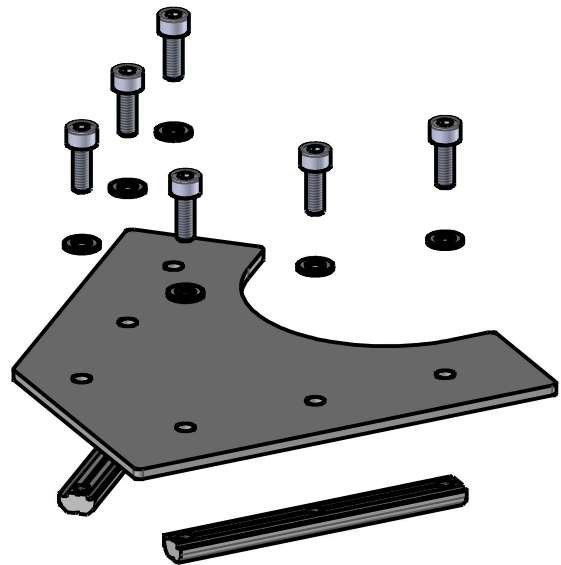
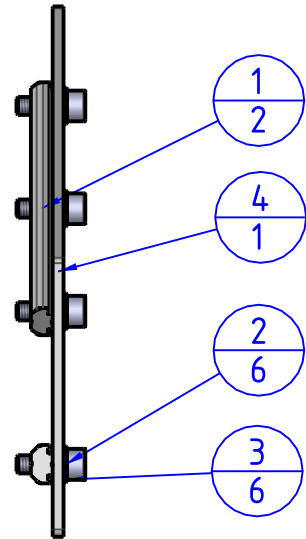
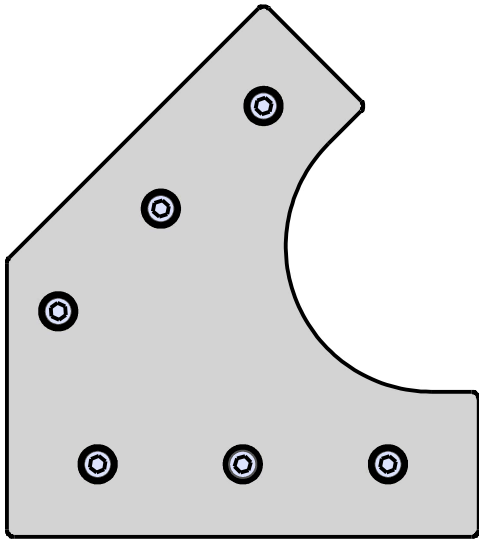

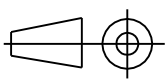


THE PROPERTY OF THE DRAWING IS ESTABLISHED BY LAW. IT IS FORBIDDEN TO PRODUCE OR SHOW IT TO THIRD PART, WITHOUT A WRITTEN AGREEMENT.

Item	Name	Q.ty
1	CA.GWP.5.40.3	2
2	R.5	6
3	V.TCE5x14	6
4	VBW.JU.45	1



Format A4 UNI 936-76				DESIGNED FROM FPS Automation		REVIEW A
	GENERAL TOLERANCE UNI - ISO 2768 CLASSE f			DATE 28/07/2022		WEIGHT 0,372kg
	DESCRIPTION CA.VBW.JU.45			CODE CA.VBW.JU.45		